

4.2mm(.165")Wire To Wire And Wire To Board Connector

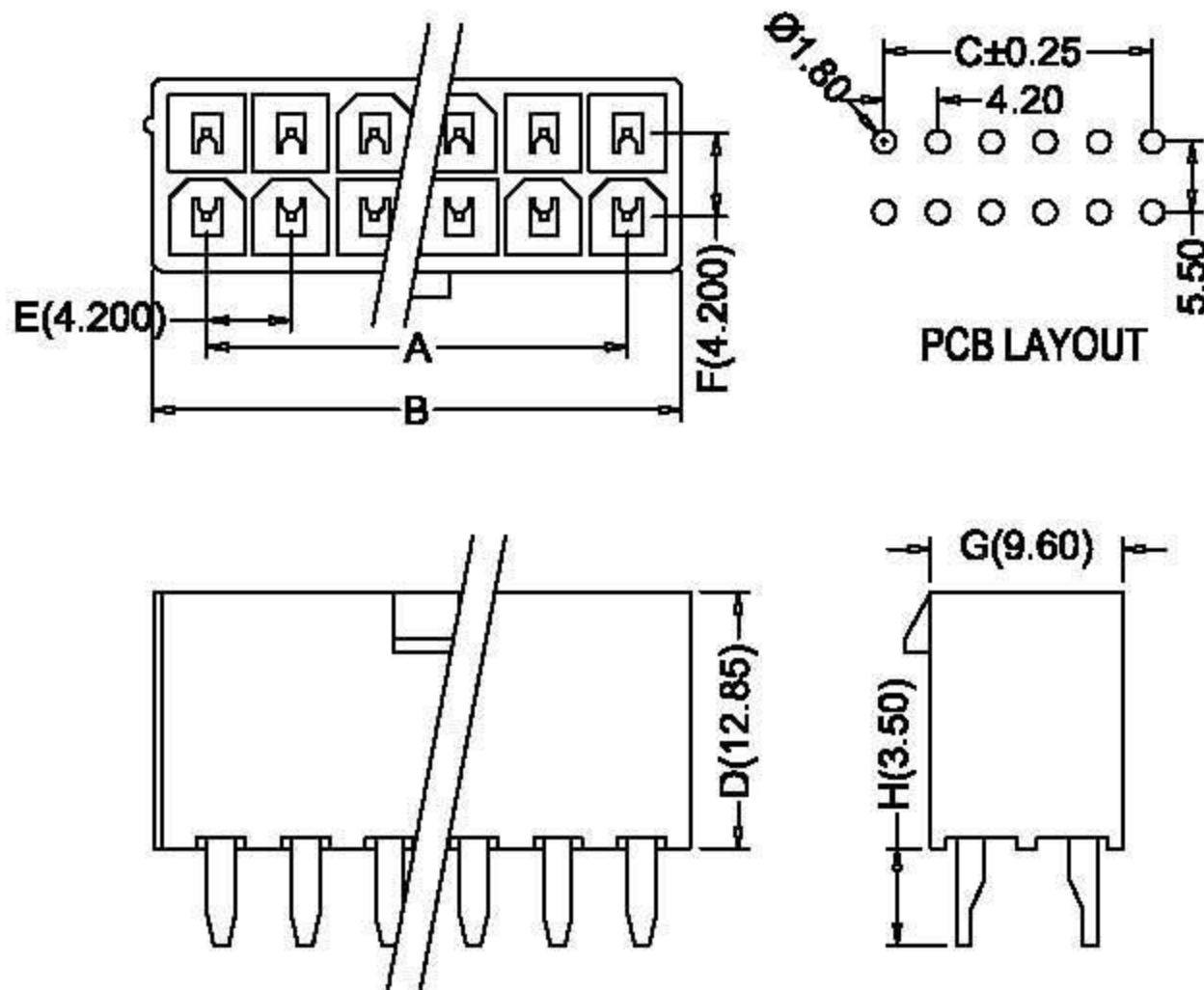
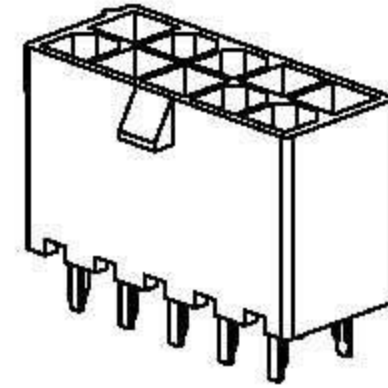
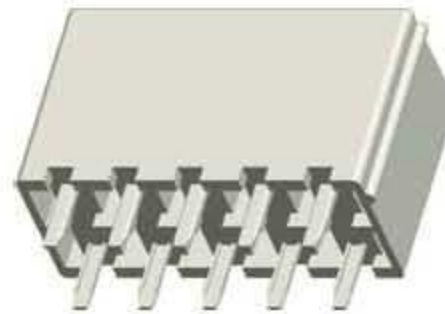


Shenzhen Hongru Connector Co., Ltd

SPECIFICATIONS:

- Current Rating:9A AC,DC
- Voltage Rating:600V AC,DC
- Operating Temperature:V2:-25°C~+85°C
- Contact Resistance:10mΩ max.
- Insulation Resistance:1000MΩ Min.
- Withstanding Voltage:1500V AC/minute
- Material:Housing:Nylon66 UL94V-2
Pin:Brass.Tin plated
- Pin In Housing Retention Force Requirement:3.5kg (Min.)

Email:yukyli@hrb-connector.com
Tel: 86-0755 2709 6669
Fax: 86-0755 2709 2392
Skype: haiyuncheng-vivian
Mobile(whatsapp): 86-186 8112 3590
Website: <http://www.hrb-connector.com>



Ordering Information And Dimensions

Part NO.		Dimensions			Part NO.		Dimensions		
TYP UL94V-2	Circuits	Dim:A	Dim:B	Dim:C	TYP UL94V-2	Circuits	Dim:A	Dim:B	Dim:C
M4257(VK)-2x1	2	/	5.40	/	M4257(VK)-2x7	14	25.20	30.80	25.20
M4257(VK)-2x2	4	4.20	9.60	4.20	M4257(VK)-2x8	16	29.40	35.00	29.40
M4257(VK)-2x3	6	8.40	14.00	8.40	M4257(VK)-2x9	18	33.60	39.20	33.60
M4257(VK)-2x4	8	12.60	18.20	12.60	M4257(VK)-2x10	20	37.80	43.40	37.80
M4257(VK)-2x5	10	16.80	22.40	16.80	M4257(VK)-2x11	22	42.00	47.60	42.00
M4257(VK)-2x6	12	21.00	26.60	21.00	M4257(VK)-2x12	24	46.20	51.80	46.20

